

We provide your solutions

CDI LEVEL CONTROLLERS



Monitoring & Control Your Fields
With CDI Units



Level Controllers



가 () 426-5
: 02-2025-8188 FAX: 02-2025-8187
e-mail : cdi@cdinstech.net
Web : www.cdikorea.com

II 706

We provide your solutions



CDI-LCQ

CDI LEVEL CONTROLLERS

CDI -LCQ



CDI-LCQ

CABLE FLOAT TYPE LEVEL SWITCH CONTROLLERS

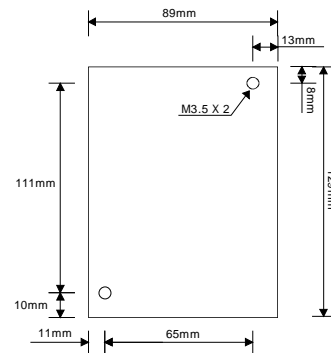
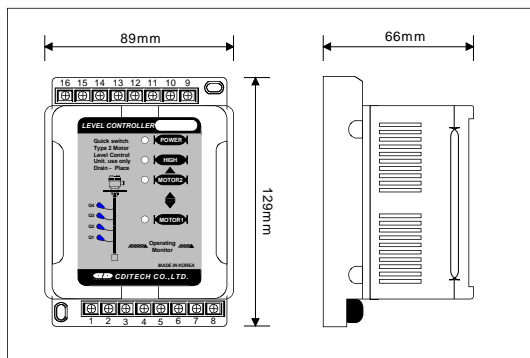
Specifications

Power	AC110V/220V
Output	Contact
Ambient Temp.	-20°C to +60°C
Switch type	Relay
Contact rating	250V 5A
Case material	ABS Plastic
Mounting	Wall mount
Dimension	129x89x66(mm)

Controller Model	Functions	Sensor Model
CDI-LCQ4	High Alarm, On&Off, Low Alarm	CDQ-4S
CDI-LCQ3	On&Off, High Alarm or Low Alarm	CDQ-3S
CDI-LCQ2	On&Off	CDQ-2S
CDI-2W4Q	High Alarm, On&Off, Low Alarm	CDQ-2W4S
CDI-2W3Q	On&Off, High Alarm or Low Alarm	CDQ-2W3S
CDI-2W2Q	On&Off	CDQ-2W2S
CDI-2W4Q2M	2 motor step or exchange control	CDQ-2W4S
CDI-LCQ2M	2 motor step or exchange control	CDQ-4S
CDI-2W__M	2-wire __ motor step control	CDQ-2W__S

**2W- 2 Wire Type, S - Switches
example : CDQ-2W4S - 2 wire 4 switches

DIMENSION & CUTOUT SIZE



We provide your solutions

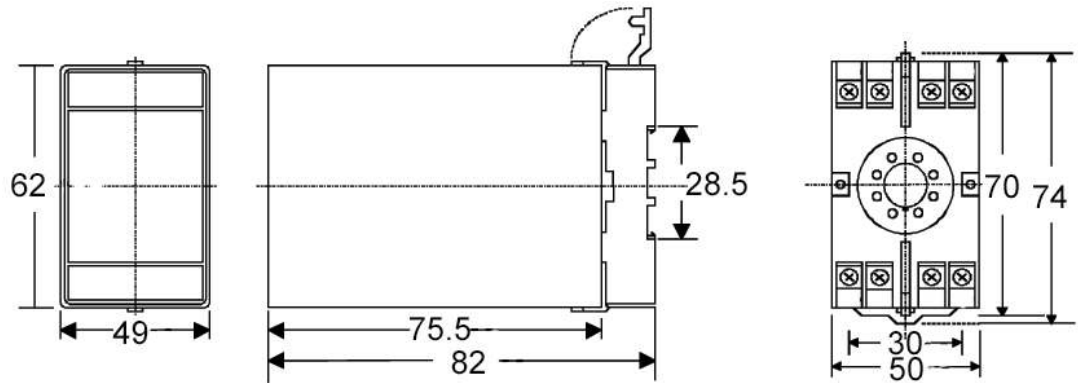


CDI-LCQ

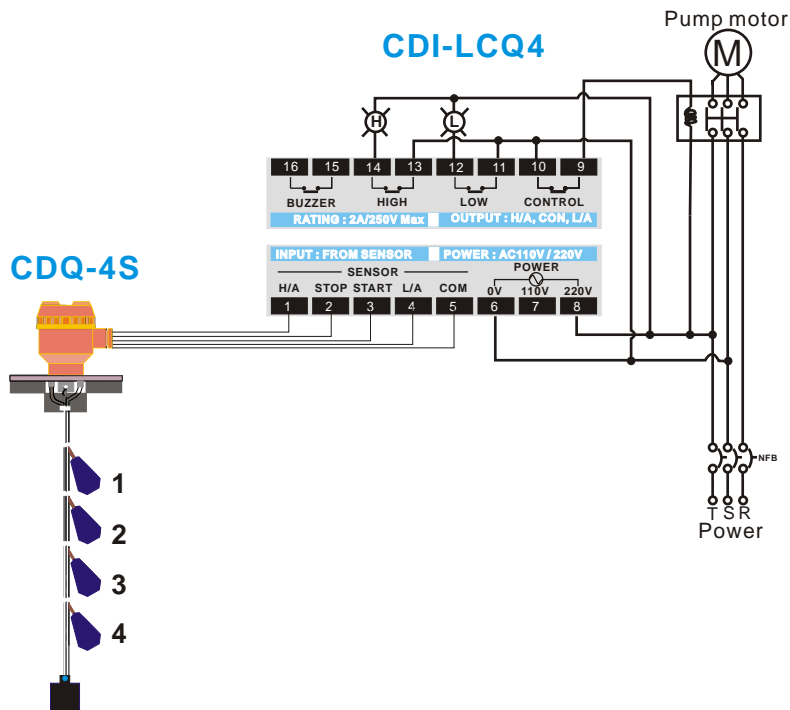
CDI LEVEL CONTROLLERS

CDI -LCQ

CDI-LCQ2 (SOCKET) DIMENSION



WIRING



We provide your solutions



CDI-LCQ

CDI LEVEL CONTROLLERS

CDI -LCQ

WIRING

