

We provide your solutions

CDI LEVEL CONTROLLERS



Monitoring & Control Your Fields
With CDI Units



Level Controllers



가 () 426-5
: 02-2025-8188 FAX: 02-2025-8187
e-mail : cdi@cdinstech.net
Web : www.cdikorea.com

II 706

We provide your solutions

CDI LEVEL CONTROLLERS

CDI -LCF



CDI-LCF

FLOAT TYPE LEVEL SWITCH CONTROLLERS

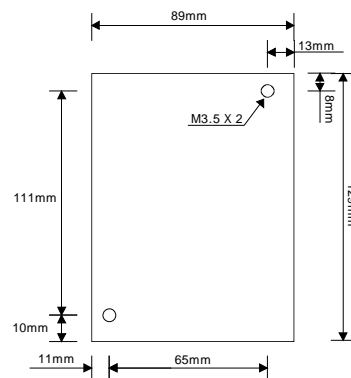
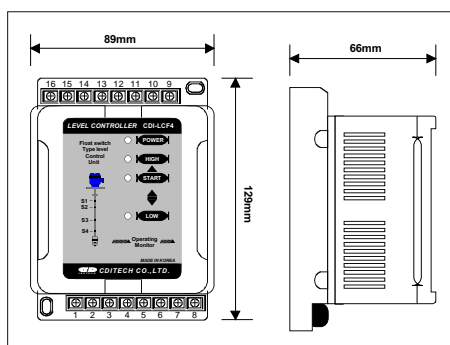
Specifications

Power	AC110V/220V
Output	Contact
Ambient Temp.	-20°C to +60°C
Switch type	Relay
Contact rating	250V 5A
Case material	ABS Plastic
Mounting	Wall mount
Dimension	129x89x66(mm)

Controller Model	Functions	Sensor Model
CDI-LCF4	High Alarm, On&Off, Low Alarm	CDF-4S
CDI-LCF3	On&Off, High Alarm or Low Alarm	CDF-3S
CDI-LCF2	On&Off	CDF-2S
CDI-2W5P	High Alarm, On&Off, Low Alarm	CDF-2W4S
CDI-2W4P	On&Off, High Alarm or Low Alarm	CDF-2W3S
CDI-2W3P	On&Off	CDF-2W2S

****2W- 2 Wire Type, S - Switches**
example : CDF-2W4S - 2 wire 4 switches

DIMENSION & CUTOUT SIZE



We provide your solutions

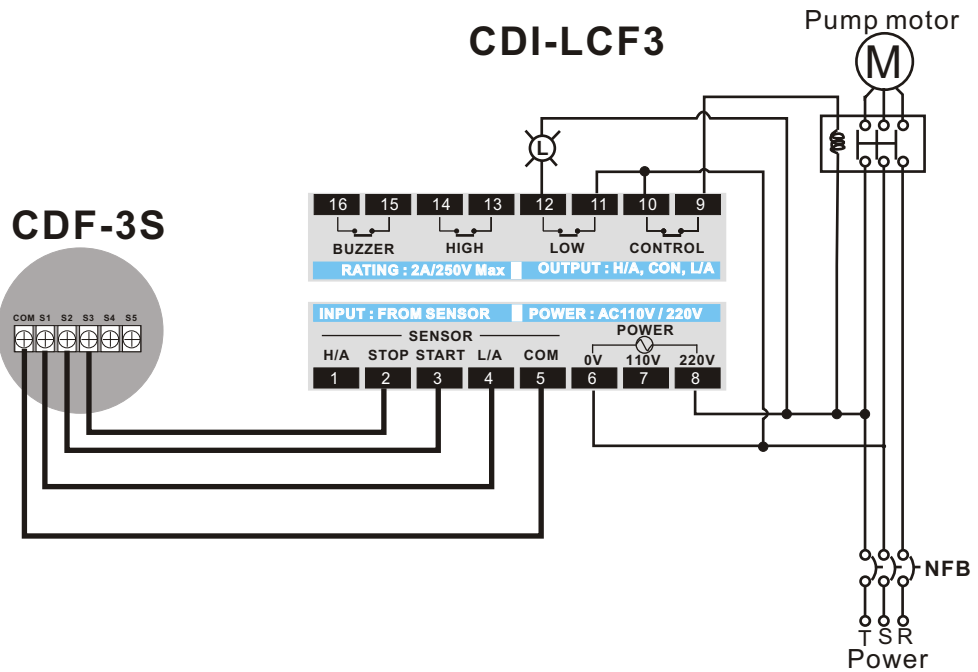
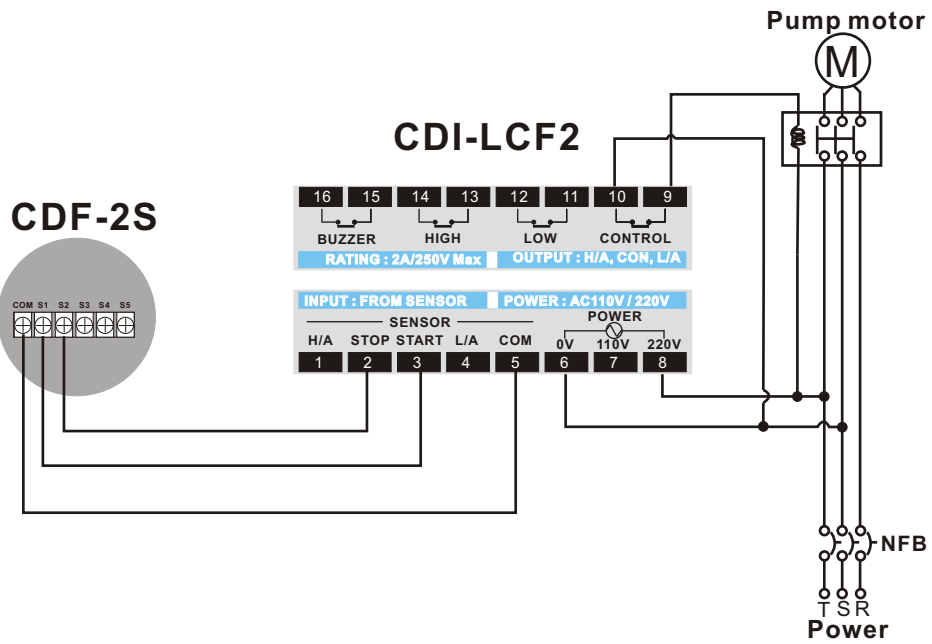


CDI-LCF

CDI LEVEL CONTROLLERS

CDI -LCF

WIRING



We provide your solutions



CDI-LCF

CDI LEVEL CONTROLLERS

CDI -LCF

WIRING

