

We provide your solutions

CDI LEVEL CONTROLLERS



Monitoring & Control Your Fields
With CDI Units



Level Controllers



씨디아이테크(주)

서울시 금천구 가산동 426-5 월드메르디앙 벤처센터 11706호

전화 : 02-2025-8188 FAX : 02-2025-8187

e-mail : cdi@cdinstech.net

Web : www.cdikorea.com

We provide your solutions



CDI-LCE

CDI LEVEL CONTROLLERS

CDI-LCE



CDI-LCE

ELECTRODE TYPE LEVEL SWITCH CONTROLLERS

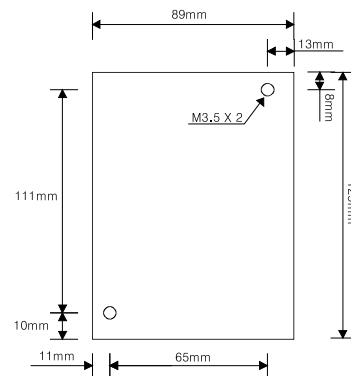
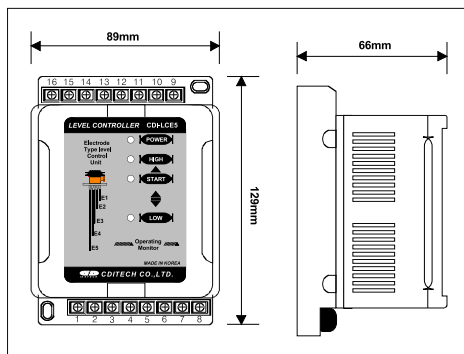
Specifications

Power	AC110V/220V
Output	Contact
Ambient Temp.	-20°C to +60°C
Switch type	Relay
Contact rating	250V 5A
Case material	ABS Plastic
Mounting	Wall mount
Dimension	129x89x66(mm)

Controller Model	Functions	Sensor Model
CDI-LCE5	High Alarm, On&Off, Low Alarm	CDE-5S
CDI-LCE5PA	HH, H, L, LL	CDE-5S
CDI-LCE4	On&Off, High Alarm or Low Alarm	CDE-4S
CDI-LCE3	On&Off	CDE-3S
CDI-2W5P	High Alarm, On&Off, Low Alarm	CDE-2W5S
CDI-2W4P	On&Off, High Alarm or Low Alarm	CDE-2W4S
CDI-LCE2M	2 motor step control	CDE-5S
CDI-E2W2M	2 wire, 2 motor step control	CDE-2W5S

**2W- 2 Wire Type, S - Switches
example : CDE-2W5S - 2 wire, 4 switches (+1 Common)

DIMENSION & CUTOUT SIZE



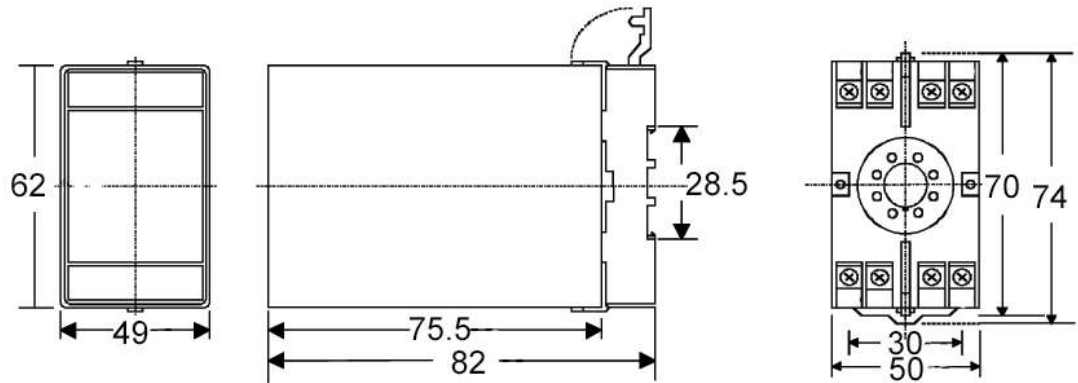
We provide your solutions

CDI LEVEL CONTROLLERS

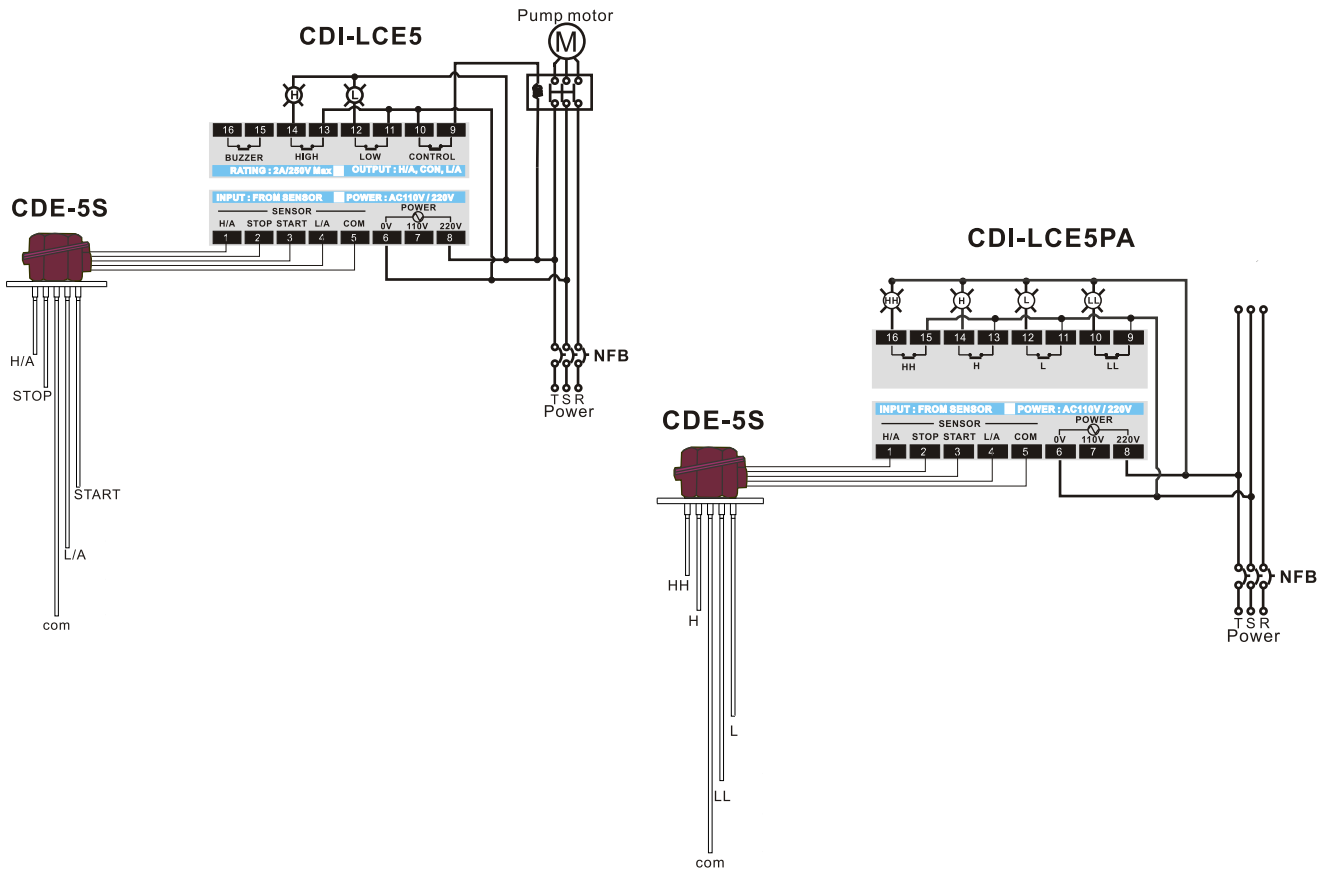
CDI-LCE



CDI-LCE3 (SOCKET) DIMENSION



WIRING



We provide your solutions

CDI LEVEL CONTROLLERS

CDI-LCE



CDI-LCE

WIRING

