

We provide your solutions

CDQ-4S,3S,2S



CDQ SERIES



VARIOUS LEVEL SENSORS & CONTROLLERS FOR YOUR APPLICATIONS

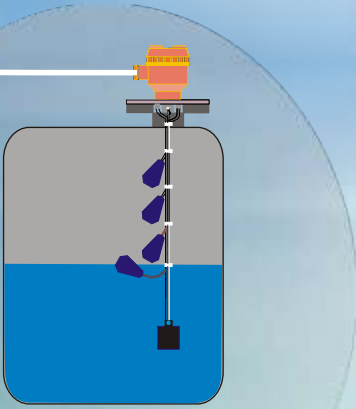


가 () 426-5
: 02-2025-8188 FAX: 02-2025-8187
e-mail : cdi@cdinstech.net
Web : www.cdikorea.com

II 706

We provide your solutions

CDQ-4S,3S,2S

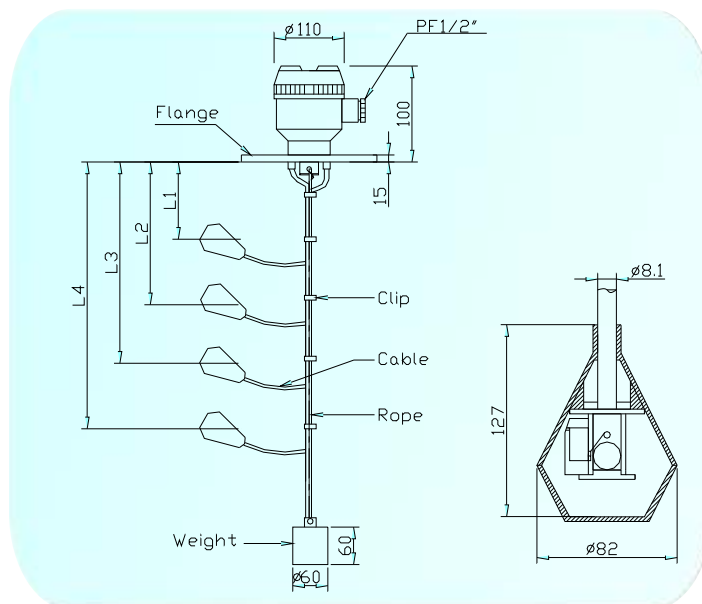


- CDI-LCQ4P : 5-wire, On&Off, H/A and L/A
- CDI-LCQ3P : 4-wire, On&Off, H/A or L/A
- CDI-LCQ2P : 3-wire, On&Off
- CDI-2M : 5-wire, Motor Step Control
- CDI-2RM : 5-wire Motor Step/Switching Control
- CDI-2W2RM : 2-wire Motor Step/Switching Control

	() -10°C to +60°C Max. 2 bar -10°C to +60°C 4m (Max. 20m Option) 0.4-3.6m (0.4-19m Opt.)
	2" () JIS 10K 80A JIS 10K 100A : RATING
()	Polycarbonate PVC Polyethylene 6 x 4m ABS PVC 0.75V CT x 3 core PVC ABS (1.5 kg)
()	IP65 (NEMA4X) Water-Proof 0.75 VCT x 3 core (O.D 8.1) Thread PF1/2 220V AC, 200V DC AC250V 5A/ 1 SPDT

We provide your solutions

CDQ-4S,3S,2S



CDQ

()	CDQ-
5 , 4	4S
4 , 3	3S
3 , 2	2S
2 , 4	2W4S
2 , 3	2W3S
2 , 2	2W2S
()	
JIS 10K 80A	F3
JIS 10K 100A	F4
2"	S2
(4m)	4m
NO or NC	NO
CDQ-4S-F4-4m-NO	