

We provide your solutions



CDI-FA

FREQUENCY(PULSE LINE USE)ARRESTER CDI-FA



FEATURES

Small size(mm) :
99.15(H),25(W),61.1(D)
Case & color :
Black ABS plastic case

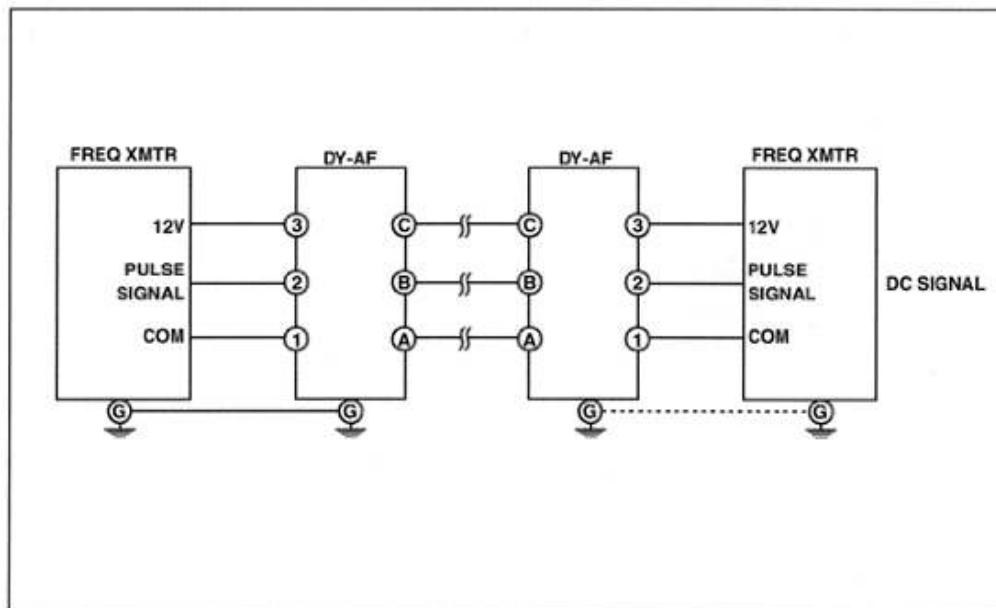
INSTALLATION

Operating temperature :
-5~+55°C
Operating humidity :
90% RH max.(non condensing)
Mounting : channel mount

MODEL & SPECIFICATION CODE

- **Model : CDI-FA**
- **Discharge Voltage**
btwn lines : 14V or more
btwn line & gnd : 500V or less
- **Max. Surge Voltage**
30V or less (btwn lines)
- **Response Time : 0.1 microseconds or less**
- **Discharge current : 10,000A(8x20 microseconds)**
- **Max. Load Current : 50mA**
- **Internal Series Resistance : Approx. 10 ohm**
- **Permissible Leakage Current**
btwn line : 10μA or less (at 14V DC)
Btwn line & gnd : 10 A or less (at 140V DC)
- **Max. Line Voltage : 14V**

CONNECTION DIAGRAM

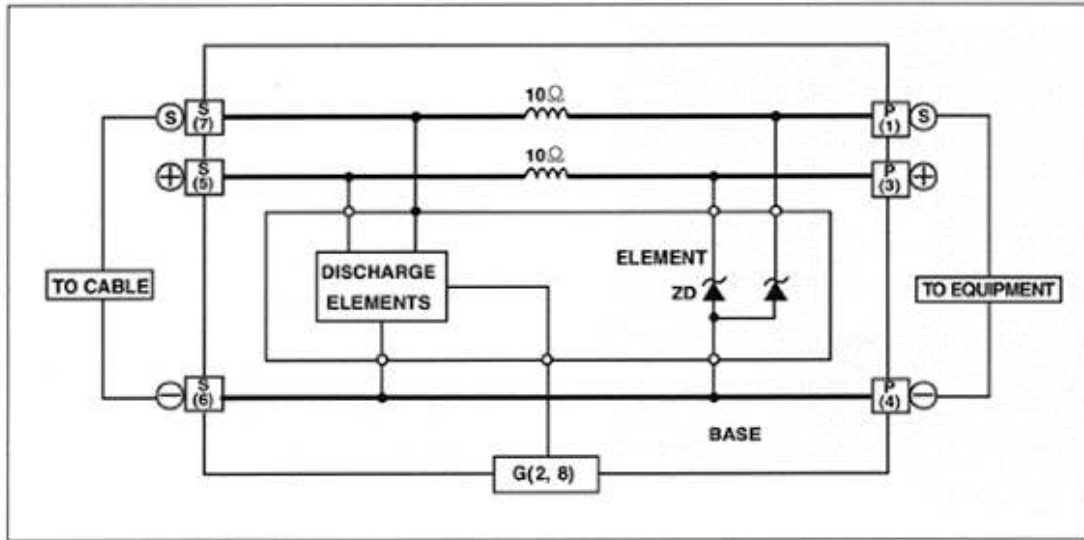


We provide your solutions

FREQUENCY(PULSE LINE USE)ARRESTER CDI-FA



SCHEMATIC CIRCUIT & CONNECTION



TERMINAL ASSIGNMENT

