

We provide your solutions

DC SIGNAL INDICATOR



INDICATOR



CDI TECH CO.,LTD.

Suite 706 World Meridian Venture Center II,
426-5, Kasan-Dong, Kumchun-Gu, Seoul, Korea
Phone : 82-2-2025-8188 FAX : 82-2-2025-8187
e-mail : cdi@cdinstech.com
Web : www.cdikorea.com

We provide your solutions



CDI-2100

CDI DIGITAL INDICATOR

CDI -2100



DIGITAL INDICATOR

CDI-2100 Series Micro Processor 16-Bit A/D Converter
 가 Alarm Setter, Indicator
 가 Analog DC24V², 3 (4-20mA) 가

SPECIFICATIONS

CDI-2100			
AC 110V / 220V () 50 - 60Hz			
5VA, MAX			
0-60 °C 0-90% RH			
	DC mA	DC 0-20mA, DC 4-20mA	Display Range : -1999 to 9999
	DC V, DC mV	DC 0-10V, DC 1-5V, 0-100mV	Display Range : -1999 to 9999
	Pt 100Ω	-200 °C to 600 °C	Display Range : -199.9 to 600.9
	Potentiometer	100 - 100 kΩ 3 wire type	Display Range : -1999 to 9999
Alarm	A1	H1 L1 (AL1, AL2)	2-Alarm
	A2	H2 (AL1, AL2)	2-Alarm
	A3	L2 (AL1, AL2)	2-Alarm
	A4	H2 L2 (AL1, AL2, AL3, AL4)	4-Alarm
	A5	H1 L3 (AL1, AL2, AL3, AL4)	4-Alarm
	A6	H3 L1 (AL1, AL2, AL3, AL4)	4-Alarm
	A7	H4 (AL1, AL2, AL3, AL4)	4-Alarm
	A8	L4 (AL1, AL2, AL3, AL4)	4-Alarm
250V 2A MAX			
0.56 inch seven segment LED display (4 Digit)			
4-20mA DC, V (1-5V DC, 0-10V DC)			
±0.1% of Full Scale			
Key			
100 mSEC (16 Bit A/D Conversion)			
DC24V / 50mA			
96(W) x 48(H) x 112(D) mm , Plastic Case			

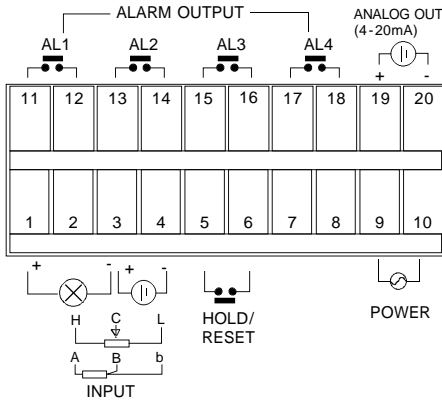
We provide your solutions



CDI DIGITAL INDICATOR

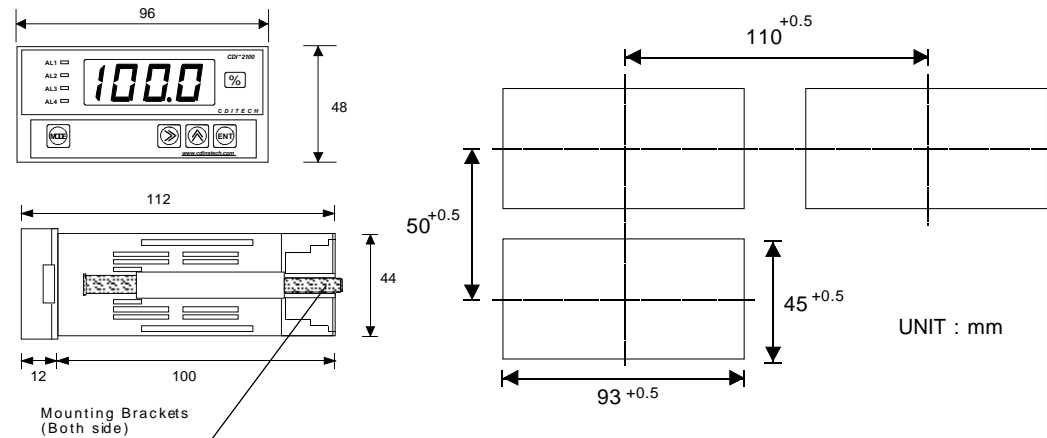
CDI -2100

WIRING



- 2-Wire Connection
 - 1 : Transmitter (+)
 - 3 : Transmitter (-)
- 3-Wire Connection
 - 1 : DC 24V (+)
 - 3 : 4-20mA (+)
 - 4 : 4-20mA (-)
- 4-20mA, V Connection
 - 3 : 4-20mA (+)
 - 4 : 4-20mA (-)
- RTD Sensor Connection
 - 2 : A
 - 3 : B
 - 4 : b
- Potentiometer Connection
 - 2 : VR (H)
 - 3 : VR (C)
 - 4 : VR (L)

DIMENSION & CUTOUT SIZE



ORDERING CODE

CDI-2100-□-□-□

Power Code

A : AC110V / 220V
D : DC24V (Option)

Input Signal Code

S : DC Signal (mA, mV, V)
R : RTD Sensor (Pt 100Ω)
P : Potentiometer (3-Wire)

Output Code

P0 : None
P1 : Analog (4-20mA)
P2 : 4 Alarm
P3 : 4 Alarm + Analog (4-20mA)