

We provide your solutions

CDG-SL, CDG-S, CDG-L



CDG SERIES



VARIOUS LEVEL SENSORS & CONTROLLERS FOR YOUR APPLICATIONS

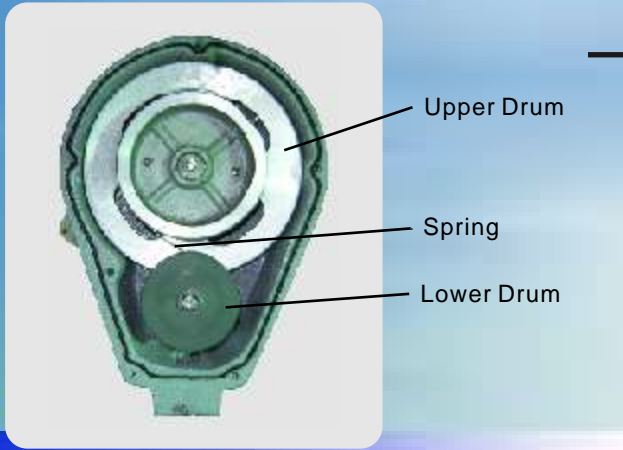


가 ()
426-5
: 02-2025-8188 FAX: 02-2025-8187
e-mail : cdi@cdinstech.net
Web : www.cdikorea.com

II 706

We provide your solutions

CDG-SL, CDG-S, CDG-L



Upper Drum

Spring

Lower Drum

(Float)가
Torque Spring

spring
Spring

가 ,

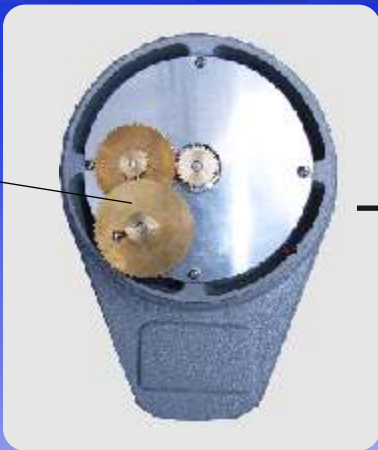
가 가
Dial Gauge

Potentiometer Converter
가

DC 4-20mA

(Transmitter)

가



Gear

DC 24V, DC 4-20mA Loop power 2
가

가

-
- 2" Screw
- IP 65
-
-

SUS

가

-
-
-
-
-

가
12m

가

Signal Converter
CDT-100R

Zero Volume
4mA Calibration

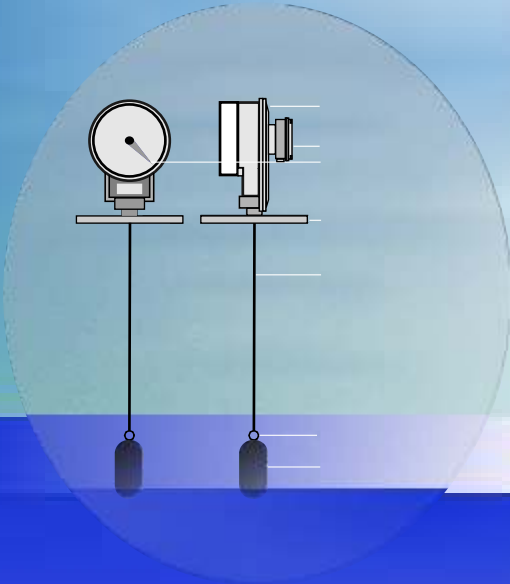
Span Volume
20mA Calibration

2-Wire Loop Power
DC 24V / 4-20mA DC



We provide your solutions

CDG-SL, CDG-S, CDG-L



Operating Conditions



-20 °C to +80 °C
 10 bar
 -20 °C to +60 °C
 6m (), :12m
 0.4 kg/l
 600cP
 ±0.5% of F.S.
 가

Material



2" ()
 JIS 10K 80A 6T
 JIS 10K 100A 6T
 JIS 10K 125A 6T
 :
 RATING

Material



()
 Cast aluminium
 Glass fiber
 Stainless Steel 304
 Stainless Steel 304
 Stainless Steel 304
 Stainless Steel 304
 Cast aluminium
 ()

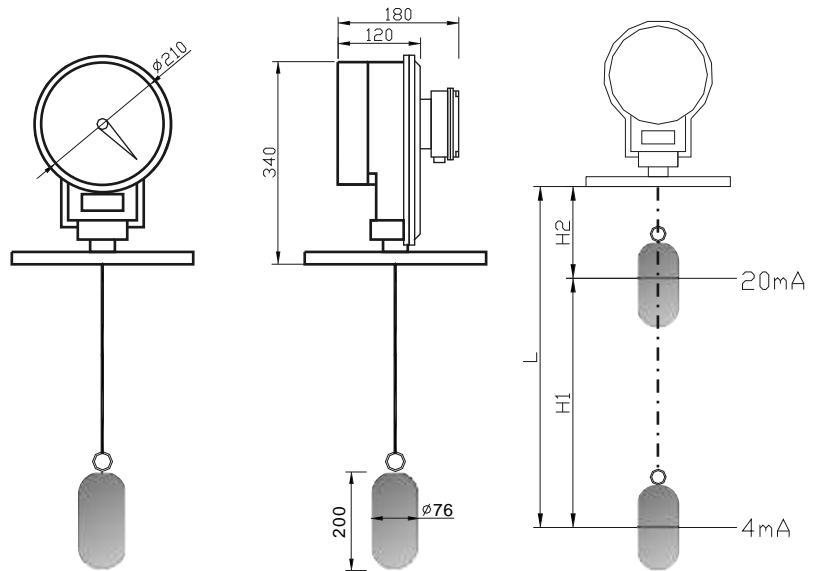
Electrical



IP65 (NEMA4X)
 IP68
 2-shield wire CVV-SB
 PF 1/2"
 DC24V
 DC 4-20mA

We provide your solutions

CDG-SL, CDG-S, CDG-L



CDG	
	CDG-
	L
(DC4-20mA)	S
(DC4-20mA)	SL
()	
JIS 10K 80A (6t)	F3
JIS 10K 100A (6t)	F4
JIS 10K 125A (6t)	F5
2" Screw	S2
()	
0-100% (mm)	H1 (mm)
(mm)	H2 (mm)
CDG- SL- F4- 5000 - 300	