

We provide your solutions



# CDE-5S,4S,3S Electrode Type Level Switch

CDE SERIES



**VARIOUS LEVEL SENSORS & CONTROLLERS FOR YOUR APPLICATIONS**



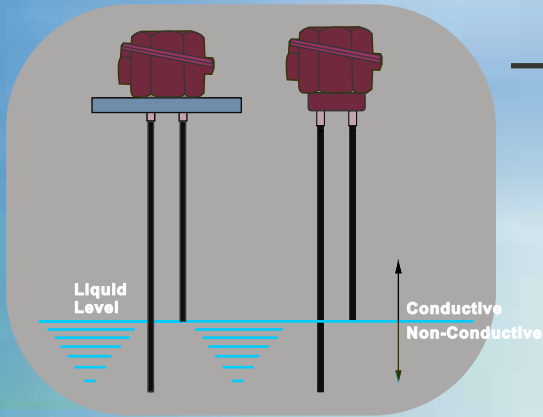
가 ( )  
426-5  
: 02-2025-8188 FAX: 02-2025-8187  
e-mail : cdi@cdinstech.net  
Web : www.cdikorea.com

11 706

We provide your solutions



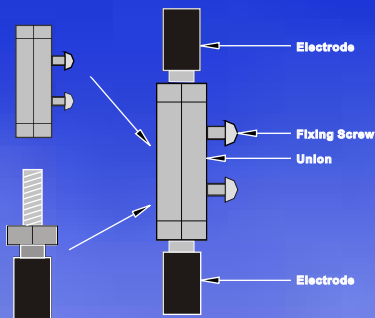
# CDE-5S,4S,3S Electrode Type Level Switch



## OPERATING PRINCIPLE

Electrodes of different lengths in the conductive liquid applied low voltage by controller. When the liquid level rises, electricity flows through the liquid between L0(Common) and other electrodes which is cut to desired control points. This electrical signal activates relay for control pump or alarm buzzers.

## FEATURE & BENEFIT



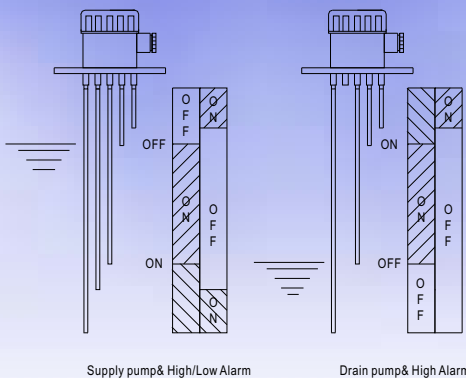
CDE electrode type level switch with appropriate controller mounted top of tank or vessel to detect high,low level points and pump control. According to selection of controller, supply or drain mode available. Various controllers can be applied to control pump and alarm mode. Standard electrode length is 2m,but using by union as show figure left,two electrodes can be joined.

### FEATURE

- Standard electrode length 2m ( extend by union more than 2m)
- Electrode material is SUS304 with insulating tube coating
- 2" screw or various sizes of flange mounting
- 2 wire type optionally available
- Weather-proof (IP65) enclosure (Head)
- With various level controllers, various contact mode available

### BENEFIT

- Conductive liquid without suspended solid application
- Simple structure enable long life time without maintenance
- Easy installation
- Easy contact point adjustable by electrodes
- Very low cost



We provide your solutions

# CDE-5S,4S,3S Electrode Type Level Switch



## TECHNICAL SPECIFICATIONS

### Operating condition

**Measured Object**  
**Liquid Temperature**  
**Operating Pressure**  
**Ambient Temperature**  
**Electrode Length**  
**Humidity**  
**Avoid Gases**  
**Mounting**

**Conductive Liquid**  
-5°C to +70°C  
Max. 10kg/cm<sup>2</sup>(Flange)  
-10°C to +60°C  
2m or 1m  
Max. 50% R.H.  
NH<sub>3</sub>, SO<sub>2</sub>, Cl<sub>2</sub> etc ( Corrosive Gas)  
Top of Tank or Vessel ( Open type)

### Connection

**Screw connection**  
**Flange connection**

2" NPT (on request)  
JIS 10K 80A  
JIS 10K 100A  
Option : request size & ratings

### Materials

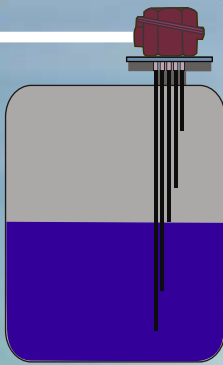
**Housing( Head )**  
**Screw**  
**Flange**  
**Electrode**  
**Connector**  
**Supporter**

Polycarbonate  
Polycarbonate  
PVC  
SUS304 with P.E Tubing  
Brass + Nickel  
PVC

### Enclosure & Signals

**Head ( Terminal Box )**  
**Cable**  
**Glands**

IP65 ( Weather Proof)  
CVV-SB  
Thread PF1/2"



## APPLICATIONS

BAS  
Petrochemical  
Food/Beverage  
Wastewater/Sewage Water  
Chemicals  
Plastic  
Power plants



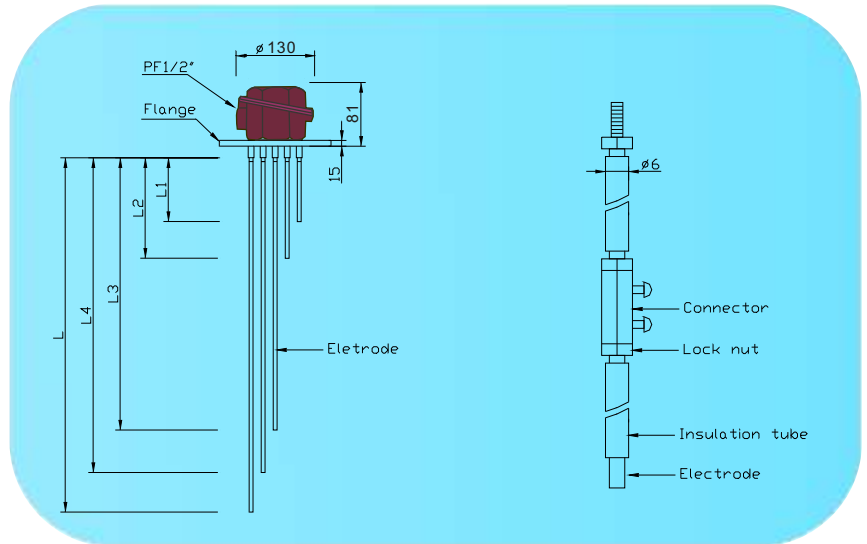
CDI-LCE5 : On&Off, H/A and L/A  
CDI-LCE4 : On&Off, H/A or L/A  
CDI-LCE3 : On&Off  
CDI-2W5P: 2 wire type  
CDI-2W2RM : 2 wire type  
Step & rotation control ( Drain Only )

We provide your solutions

# CDE-5S,4S,3S Electrode Type Level Switch



## DIMENSIONS



## ORDERING CODE

### Electrode Type Level Switch Model CDE

#### Sensor Type Selection

- 5 wire, 5 Electrodes
- 4 wire, 4 Electrodes
- 3 wire, 3 Electrodes
- 2 wire, 5 Electrodes
- 2 wire, 4 Electrodes
- 2 wire, 3 Electrodes

#### Connection ( Flange or Screw Size )

- JIS 10K 80A
- JIS 10K 100A
- 2" Screw

#### Electrode Length & Contact Type

- Electrode length ( 2m Std. )

#### CDE-

- 5S
- 4S
- 3S
- 2W5S
- 2W4S
- 2W3S

- F3
- F4
- S2

2m

#### Ordering Code Example

CDE-5S-F4-2m