

We provide your solutions

CDI LEVEL INDICATING CONTROLLERS



Monitoring & Control Your Fields
With CDI Units



Level Controllers



CDI TECH CO.,LTD.
Suite 706 World Meridian Venture Center II,
426-5, Kasan-Dong, Kumchun-Gu, Seoul, Korea
Phone : 82-2-2025-8188 FAX : 82-2-2025-8187
e-mail : cdi@cdinstech.com
Web : www.cdikorea.com

We provide your solutions



CDI LEVEL CONTROLLERS

CDI -4000D, CDI-3000D



CDI-4000D



CDI-3000D

LEVEL INDICATING CONTROLLERS

As a programmable micro processor based and high accurate A/D converter, various contact mode setting is available. So it can be ideal to use as an alarm setter and for the level control. Compatible with various type of 2 or 3 wire local transmitters and built in power supplier supplies DC 24V to the transmitters

SPECIFICATIONS

Model	CDI-4000D	CDI-3000D
Mounting	Wall mount	Panel mount
Dimension	90(W)x129(H)x66(D)mm	96(W)x48(H)x112(D)mm
Housing	ABS Plastic	ABS Plastic
Display	0.36" 7-segment 4-digit	0.56" 7-Segment 4-digit
Display range	0-9999	0-9999
Operating Temp.	-5°C to +55°C	-5°C to +55°C
Operating Humidity	90% RH max	90% RH max (non-condensing)
Alarm Parameter	PS-0 : Alarm None PS-1 : L,On&Off, H (Supply) PS-2 : L,On&Off,H (Drain) PS-3 : LL, L,H, HH (Use alarm) PS-4 : LL L H HH (ON When values over setting points) PS-5 : LL L H HH (OFF When values over setting points) PS-6 : LL,L,H,HH (Step by Step)	
Scale Free Set Range	0-9999	0-9999
Output	Relay contact	Relay contact (5A / 250VAC max)
Accuracy	± 0.15% of full scale	± 0.15% of full scale
Linearity	± 0.1% of full scale	± 0.1% of full scale
Power	AC110V/220V 50-60Hz	AC110V/220V 50-60Hz 6VA max
Dielectric Strength	2000VAC@1min	2000VAC@1min

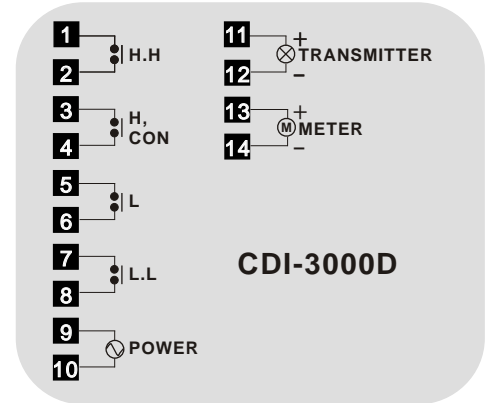
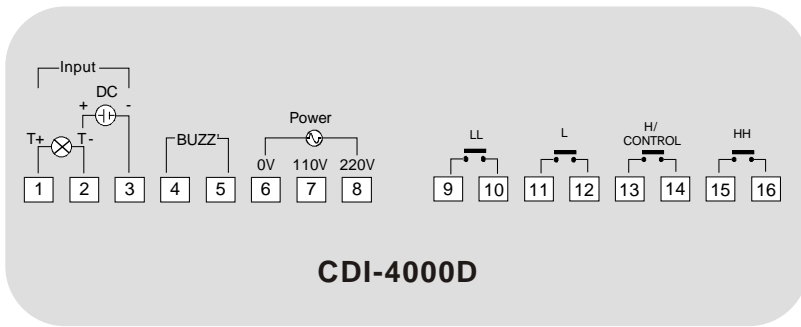
We provide your solutions

CDI LEVEL CONTROLLERS

CDI -4000D, CDI-3000D

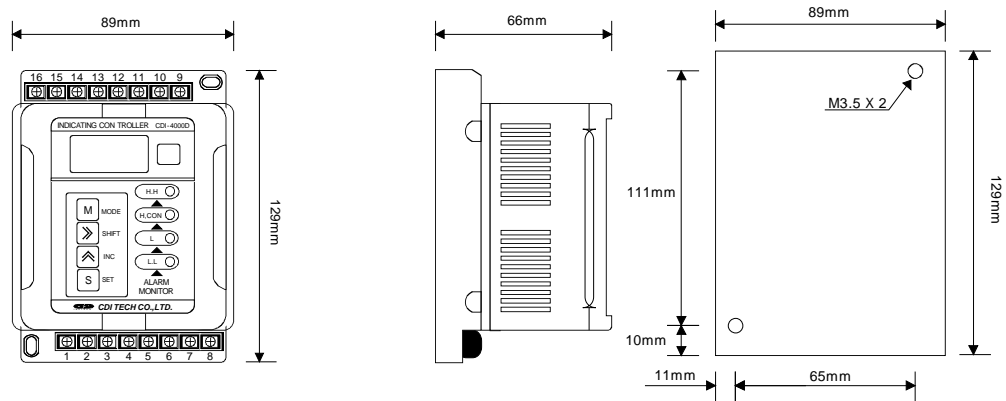


WIRING

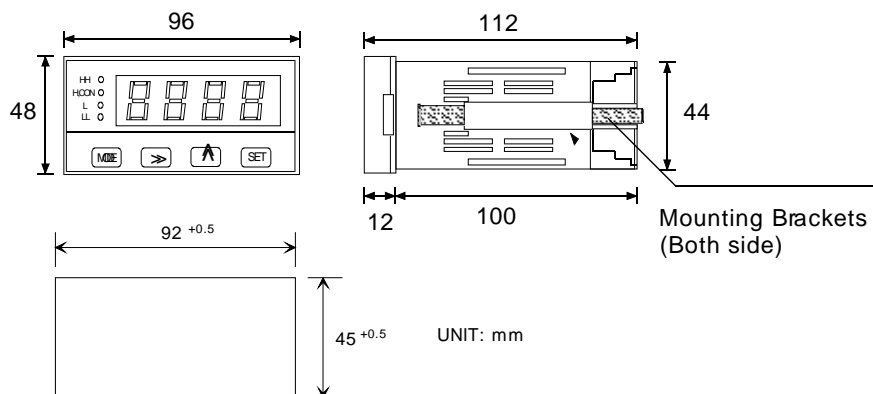


DIMENSION & CUTOUT SIZE

CDI-4000D



CDI-3000D



UNIT: mm