

We provide your solutions



CDI-PA

## STANDARD(AC/DC POWER LINE USE)ARRESTER CDI-PA



It is designed to use for protection of precise field instruments from various danger of surge, high voltage noise, lightening, etc. Into power transmitting line.

### MODEL & SPECIFICATION CODE

- **FEATURES**

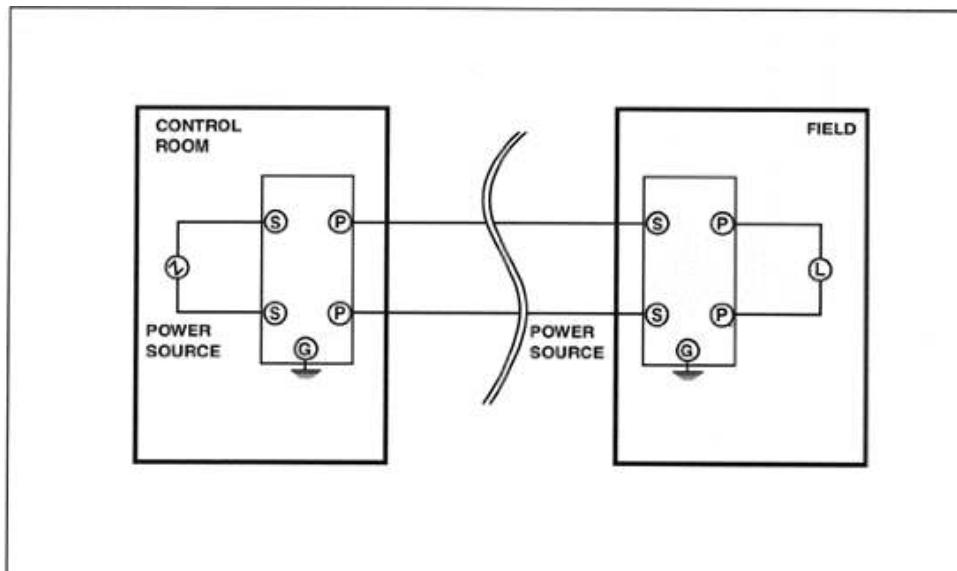
Small size(mm) :  
99.15(H),25(W),61.1(D)  
Case & color :  
Black ABS plastic case

- **INSTALLATION**

Operating temperature :  
-5~+55°C  
Operating humidity :  
90% RH max.(non condensing)  
Mounting : channel mount

- **Model : CDI-PA**
- **Discharge Voltage**  
btwn lines : 190V or more ( peak ) → PA-100  
410V or more ( peak ) → PA-200  
btwn line & gnd : 410V or more ( peak )
- **Max. Surge Voltage**  
btwn lines : 400V or less → PA-100  
800V or less → PA-200  
btwn line & gnd : 800V or less
- **Response Time : 0.1 microseconds or less**
- **Discharge current : 10,000A(8x20 microseconds)**
- **Max. Load Current : 2.0A**
- **Internal Series Resistance : Approx. 0.4 ohm**
- **Permissible Leakage Current**  
btwn line : 0.1mA or less ( at 150V DC ) → PA-100  
0.1mA or less ( at 300V DC ) → PA-200  
btwn line & gnd : 0.1mA or less ( at 300V DC )
- **Capacity Btwn Lines : 1μF**
- **Max, Line Voltage : 120V AC / 170VDC → PA-100**
- **250V AC / 350VDC → PA-200**

### CONNECTION DIAGRAM

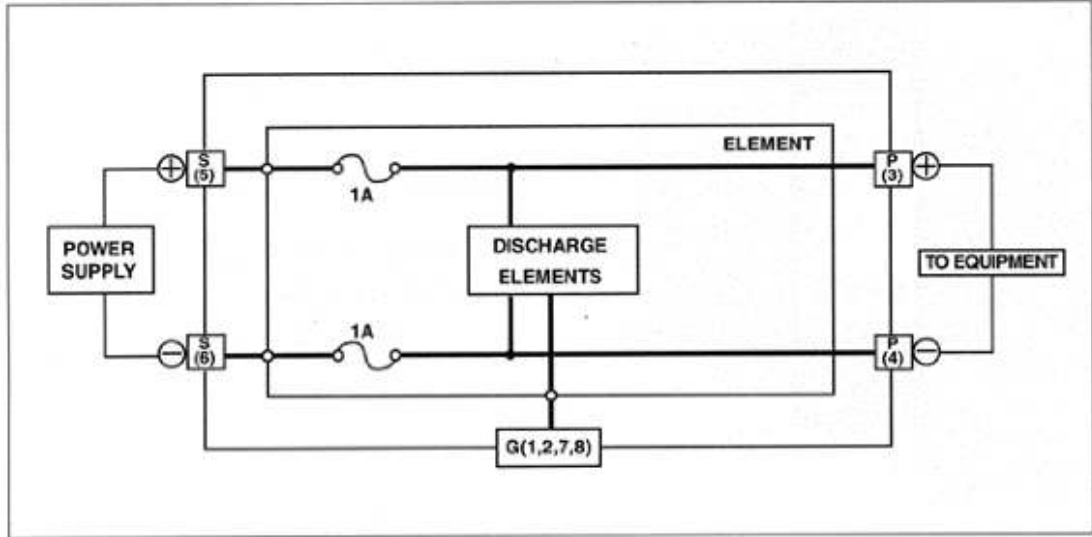


We provide your solutions

# STANDARD(AC/DC POWER LINE USE)ARRESTER CDI-PA



## SCHEMATIC CIRCUIT & CONNECTION



## TERMINAL ASSIGNMENT

