

We provide your solutions



CDF-4S,3S,2S Float Type Level Switch

CDF SERIES



VARIOUS LEVEL SENSORS & CONTROLLERS FOR YOUR APPLICATIONS



CDI TECH CO.,LTD.

Suite 706 World Meridian Venture Center II, 426-5, Kasan-Dong, Kumchun-Gu, Seoul, Korea
Phone : 82-2-2025-8188 FAX: 82-2-2025-8187 e-mail: cdi@cdinstech.com
Web : www.cdikorea.com

We provide your solutions



CDF-4S,3S,2S Float Type Level Switch

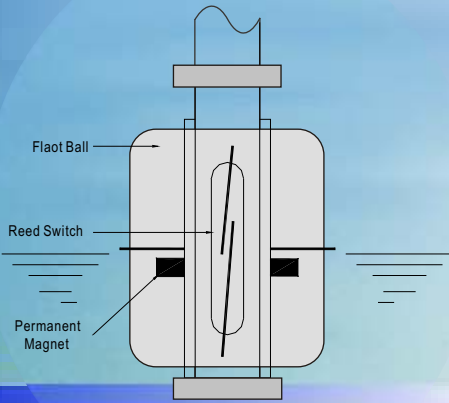


Figure 1

OPERATING PRINCIPLE

Reed switches is in the stainless steel or various materials of pipe stem as shown right figure. The float ball which contains permanent magnet moves up and down according to the liquid level and when float positioned middle of the reed switch, the contact is induced. The reed switch positioned customized point and pump on & off control is possible by float ball is positioned desired reed switch points. Various contact mode can be achieved by using various control unit.

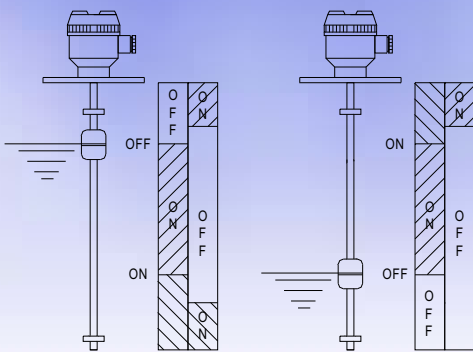
FEATURE & BENEFIT

FEATURE

- Optional wetted parts materials (SUS304, PP, PVC, PTFE, etc.)
- About two hundred life times of reed switch
- 2" screw or various sizes of flange mounting
- 2 wire type optionally available
- Weather-proof (IP65) enclosure (Head)
- With various level controllers, various contact mode available

BENEFIT

- Low cost
- Simple operating principle enable long life time without maintenance
- Optional wetted part materials in corrosive liquid
- Reed switch position easily changeable in the fields.
- Accurate contact points



Supply pump & High/Low Alarm

Drain pump & High Alarm

Fluid Materials	Acid	Alkaline	Oil	Solvent
SUS304	X	△	⊙	⊙
SUS316	△	○	⊙	⊙
PP	○	○	○	X
PVDF	⊙	⊙	○	○

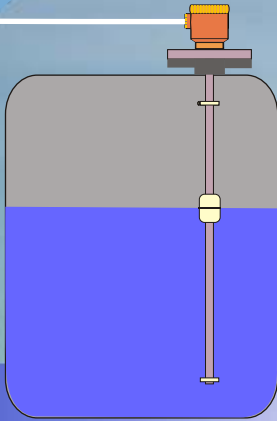
Note : ⊙ = Excellent , ○ = Good , △ = Acceptable , X = Not good

We provide your solutions

CDF-4S,3S,2S Float Type Level Switch



TECHNICAL SPECIFICATIONS



Operating condition

<i>Measured Object</i>	<i>Liquid</i>
<i>Liquid Temperature</i>	<i>0°C to +80°C</i>
<i>Operating Pressure</i>	<i>Max. 10kg/cm²</i>
<i>Ambient Temperature</i>	<i>-10°C to +60°C</i>
<i>Guide Pipe Length</i>	<i>Max. 6m</i>
<i>Lower Dead Band</i>	<i>60mm</i>
<i>Density</i>	<i>More than 0.4kg/l</i>
<i>Viscoisty</i>	<i>Max.600 cP</i>
<i>Mounting</i>	<i>Tank or Vessel</i>

Connection

<i>Screw connection</i>	<i>2" NPT (on request)</i>
<i>Flange connection</i>	<i>JIS 10K 80A 6T</i>
	<i>JIS 10K 100A 6T</i>
	<i>JIS 10K 125A 6T</i>
	<i>Option : request size & ratings</i>

Materials

<i>Housing(Head)</i>	<i>Polycarbonate</i>
<i>Screw</i>	<i>Stainless Steel 304</i>
<i>Flange</i>	<i>Stainless Steel 304</i>
<i>Guide Pipe</i>	<i>Stainless Steel 304</i>
<i>Flaot</i>	<i>Stainless Steel 304</i>
<i>Stopper</i>	<i>Stainless Steel 304</i>
<i>Wetted Part Materials (Option)</i>	<i>SUS316, PVC, PP, PTFE</i>

Enclosure & Signals

<i>Head</i>	<i>IP65 (NEMA4X)</i>
<i>Float /Guide Pipe</i>	<i>Water-Proof</i>
<i>Cable</i>	<i>CVV-SB</i>
<i>Glands</i>	<i>Thread PF1/2"</i>
<i>Max. Operating Voltage</i>	<i>220V AC, 200V DC</i>
<i>Contact Rating</i>	<i>DC24V 0.5A / 1SPDT</i>

APPLICATIONS

Water and aqueous liquids
Chemicals
Oil
Storage tank
Acids
Alkalis
Organic and inorganic solvents

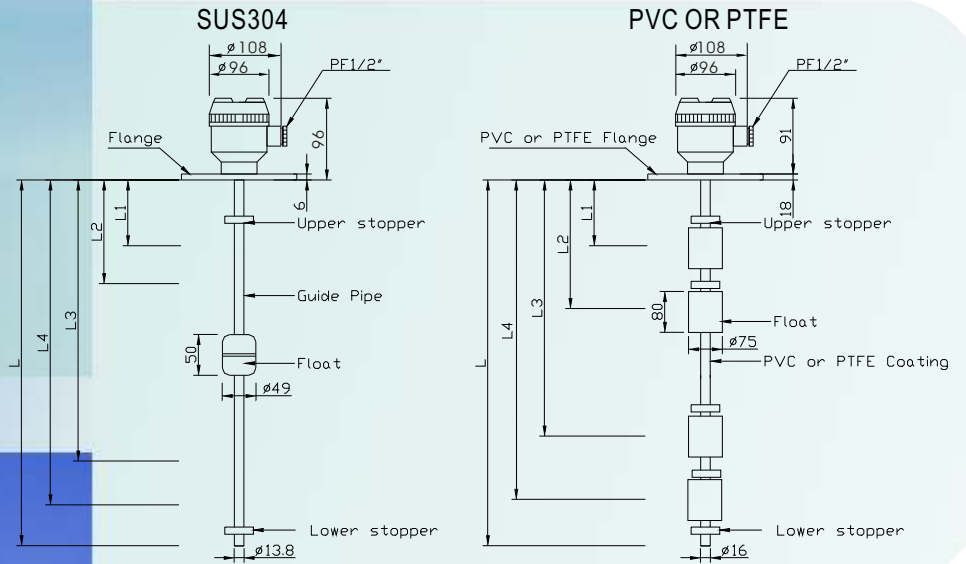


We provide your solutions

CDF-4S,3S,2S Float Type Level Switch



DIMENSIONS



ORDERING CODE

Float Type Level Switch Model CDF

Sensor Type Selection

2 or 3 or 4 contacts

2 or 3 or 4 contacts (2-wire)

CDF-

2S or 3S or 4S

2W2S or 2W3S or 2W4S

Wetted Parts Materials

SUS 304

SUS 316

PVC

PTFE

R4

R6

P

T

Connection (Flange or Screw Size)

JIS 10K 80A (6t)

JIS 10K 100A (6t)

JIS 10K 125A (6t)

2" Screw

F3

F4

F5

S2

Contact Point Information

Contact Points from Flange

Total Guide Pipe Length

L1-L4 (mm)

L (mm)

Ordering Code Example

CDF- 2S-R4-F4- L1(500)-L2(700)-780