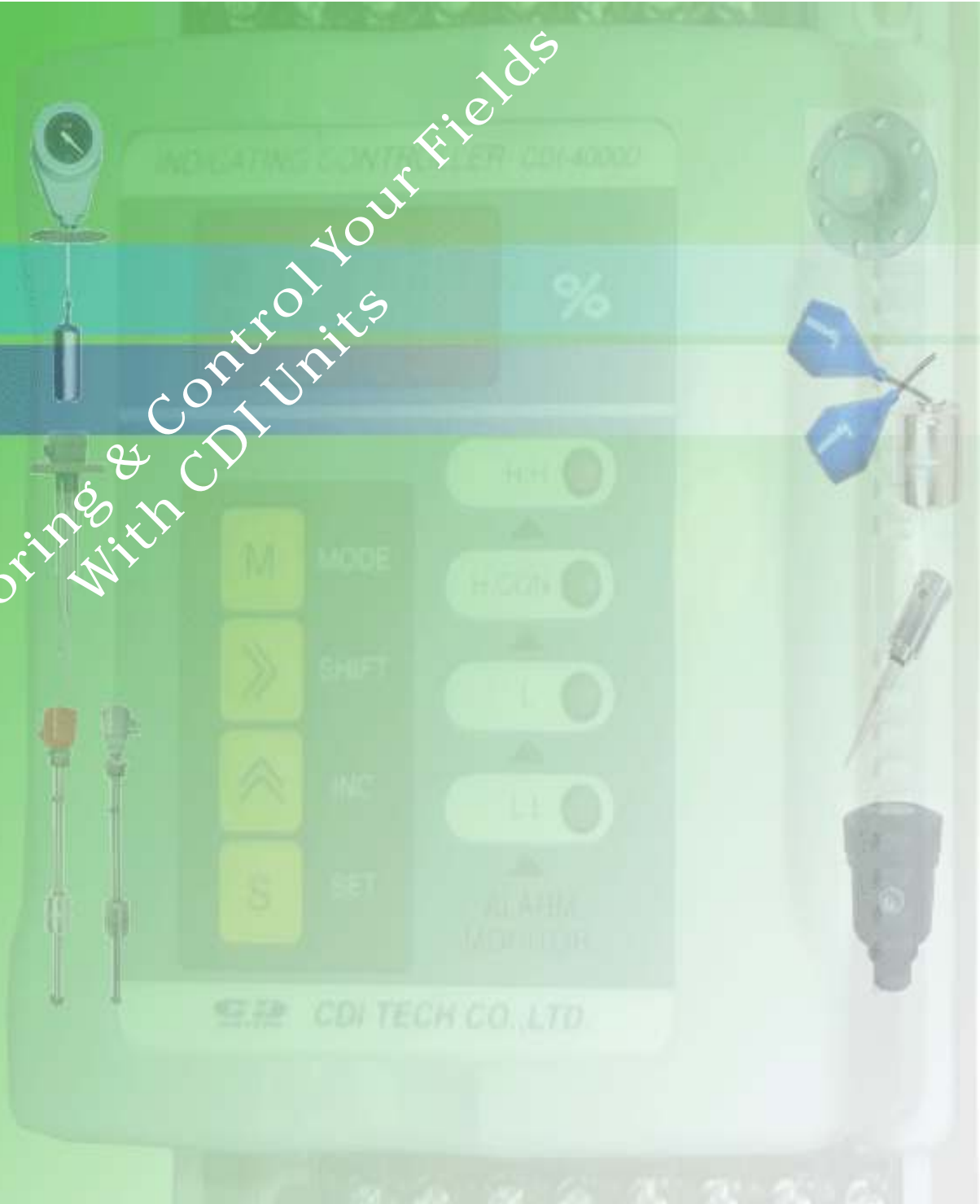


We provide your solutions

DC SIGNAL INDICATOR



Monitoring & Control Your Fields
With CDI Units



INDICATOR



CDI TECH CO.,LTD.
Suite 706 World Meridian Venture Center II,
426-5, Kasan-Dong, Kumchun-Gu, Seoul, Korea
Phone : 82-2-2025-8188 FAX : 82-2-2025-8187
e-mail : cdi@cdinstech.com
Web : www.cdikorea.com

We provide your solutions



CDI DIGITAL INDICATOR

CDI -2000D



CDI-2000

DIGITAL INDICATOR

CDI-2000 series is designed to monitoring a signals from field as DC signal transmitters, RTD sensor, potentiometer. It is also transmits DC signals and alarm function enables to use it as a alarm setter. Built-in A/D converter and microprocessor ensure high accuracy and sample hold function also enable easy to use with economic prices

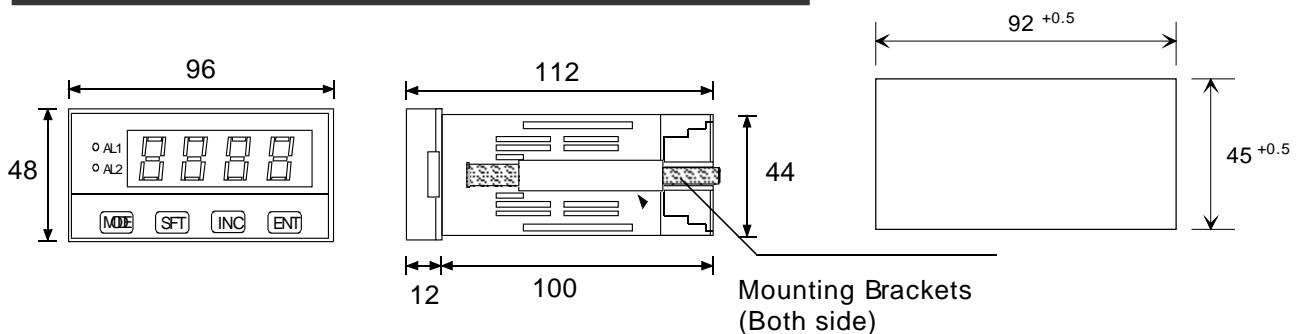
SPECIFICATIONS

Model	CDI-2000
Mounting	Panel mount
Dimension	96(W)x48(H)x112(D)mm
Housing	ABS Plastic
Display	FND 7 segment 4-digit
Display range	-1999- +9999 multi-range
Operating Temp.	-5°C to +55°C
Operating humidity	90% RH max
Sample hold	90% RH max
Dielectric strength	2000Vac@1min
Output impedance	DC current - 750Ω Max DC Voltage - 5kΩ min
Power	AC110/220V 60Hz 6VA max
Accuracy	± 0.15% of full scale
Linearity	± 0.1% of full scale

SETTING MODE

- 2 Alarm set : H / L
HH / H
L / LL
- 4 Alarm set : HH / H / L / LL
All High
All Low
HHH / HH / H / L
H / L / LL / LLL
- High / Low range
- Decimal point
- Hysterisis
- Response time

DIMENSION & CUTOUT SIZE



We provide your solutions



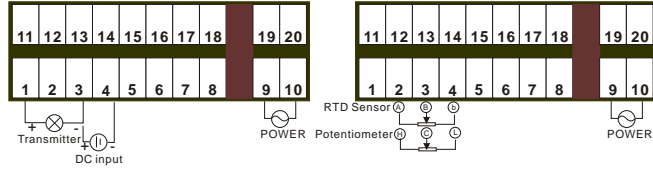
CDI-2000D

CDI DIGITAL INDICATOR

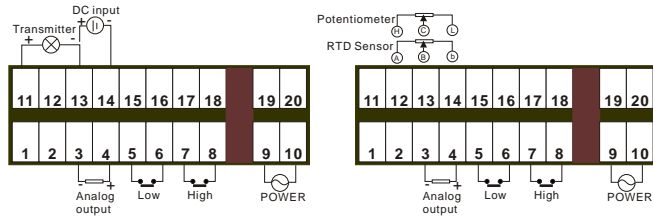
CDI -2000D

WIRING

CDI-2000



CDI-2001,2,3



ERROR MESSAGE & OUTPUT SCALING

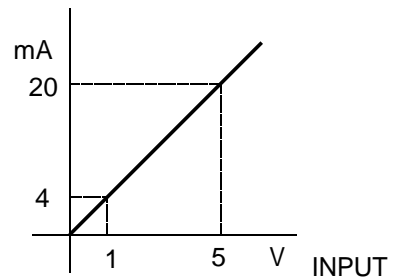
1. ERROR MESSAGE

OVER	SCALE OVER
UNDER	SCALE UNDER
SEr	SETTING ERROR

2. OUTPUT SCALING

Mode : Normal
 Input : 1 - 5V DC
 Output : 4 - 20mA DC

OUTPUT



ORDERING CODE

MODEL : CDI-200□□

OUTPUT

- 0 : Display only
- 1 : 4 - 20mA DC Standard
- 2 : Alarm Output 2points
- 3 : DC Signal & Alarm 2- points
- 4 : Alarm 4- points

INPUT

- C : 4 - 20mA DC
- V : DC Voltage
- R : Pt 100
- P : Potentiometer
- O : Other Spec