

DC SIGNAL REVERSE CONVERTER

● GENERAL SPECIFICATION

- Construction : Plug -in
- Wring : M3.5 Screw Terminal
- Isolation : Power to Input to Output1 to Output2
- Adjustment : Zero & Span $\pm 20\%$ of full scale

● INPUT

DC VOLTAGE

- Range : $\pm 300V$ Max
- Resistance : 20K Min at $\pm 1V$
1M MiN at $\pm 10V$

DC CURRENT

- Range : 50mA Max
- Resistance : 250 Max

● OUTPUT

- DC VOLTAGE : $\pm 12V$ Max
- Load Resistance

| Output | Resistance |
|------------|------------|
| 0 ~ 10mV | 1K or more |
| 0 ~ 100mV | 1K or more |
| 0 ~ 1V | 1K or more |
| 0 ~ 5V | 2K or more |
| 0 ~ 10V | 4K or more |
| -10V ~ 10V | 4K or more |

- DC CURRENT : 0 ~ 20mA
- Load Resistance

| Output | Resistance |
|----------|--------------|
| 0 ~ 1mA | 15K or less |
| 0 ~ 10mA | 1.5K or less |
| 0 ~ 20mA | 750 or less |
| 1 ~ 5mA | 3K or less |
| 4 ~ 20mA | 750 or less |

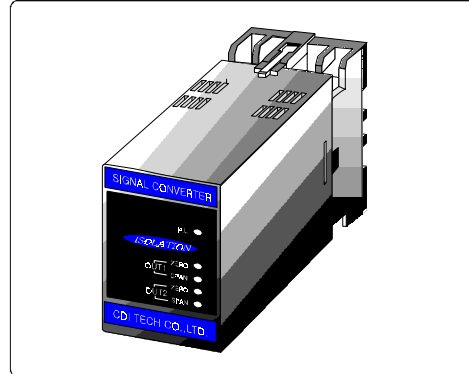
-Display range : -999~1999,3 1/2 digit
(available decimal point)

● INSTALLATION

- Operating temperature : -5 ~ 55
- Operating humidity : 90%RH Max
(none condensing)
- Power supply
AC : 110V or 220V/60Hz $\pm 10\%$, approx 3VA
DC : 18V ~ 30V $\pm 10\%$, approx 3VA
- Power selection : AC 110V/220V Switch
in the back plane
- Mounting : Wall or DIN rail

● PERFORMANCE

- Accuracy : $\pm 0.1\%$
- Temp'coefficient : $\pm 0.015\%$
- Response time : 0.5 Sec or less(0~90%)
- Insulation resistance : 100M or more
with 500VDC(Input/Output/Power)
- Dielectric strength : 1500VAC at 1minute
(Input to Output to Power)



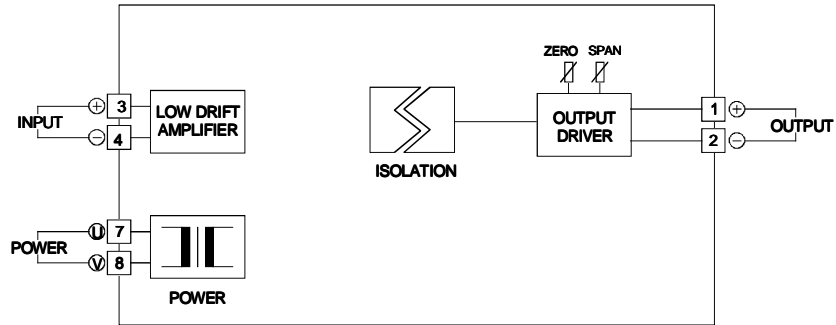
The converter CDI -RSC accepts DC signal and provides isolated reverse DC outputs.

● ORDERING CODE SELECTION

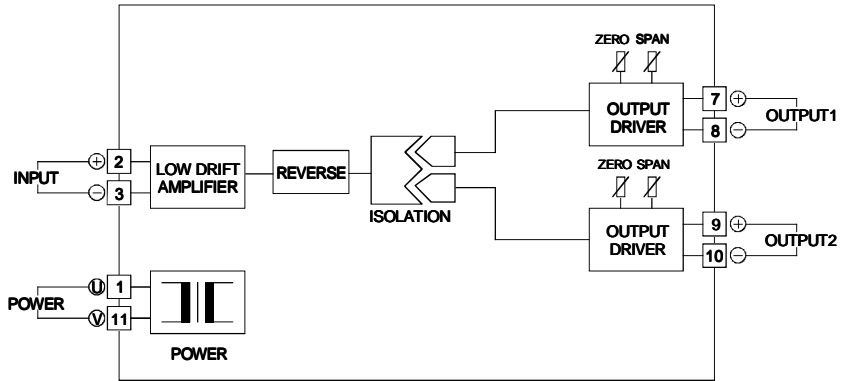
| | | | | |
|-----------------------------------|----------------|--------------------------|--------------------------|--------------------------|
| MODEL TYPE | MODEL: CDI-RSC | <input type="checkbox"/> | <input type="checkbox"/> | <input type="checkbox"/> |
| 1 : 1 Output | | | | |
| 2 : 2 Output | | | | |
| A : 1 Output with display | | | | |
| B : 2 Output with display | | | | |
| INPUT | | | | |
| VOLTAGE | CURRENT | | | |
| 1 : 0~10mV | A : 0~1mA | | | |
| 2 : 0~100mV | B : 0~10mA | | | |
| 3 : 0~1V | C : 0~20mA | | | |
| 4 : 0~5V | D : 1~5mA | | | |
| 5 : 0~10V | E : 4~20mA | | | |
| 6 : 1~5V | | | | |
| 7 : -10~10V | | | | |
| 0 : Other special spec. | | | | |
| OUTPUT 1 | | | | |
| VOLTAGE | CURRENT | | | |
| 1 : 10~0mV | A : 1~0mA | | | |
| 2 : 100~0mV | B : 10~0mA | | | |
| 3 : 1~0V | C : 20~0mA | | | |
| 4 : 5~0V | D : 5~1mA | | | |
| 5 : 10~0V | E : 20~4mA | | | |
| 6 : 5~1V | | | | |
| 7 : 10~-10V | | | | |
| 0 : Other special spec. | | | | |
| OUTPUT 2 | | | | |
| N : no output2 | | | | |
| The codes are the same as Output1 | | | | |
| POWER | | | | |
| X : AC 110V or 220V for 50/60Hz | | | | |
| Y : DC 24V | | | | |
| Z : Other special power | | | | |

DC SIGNAL REVERSE CONVERTER

● 8 PIN CONNECTION DIAGRAM

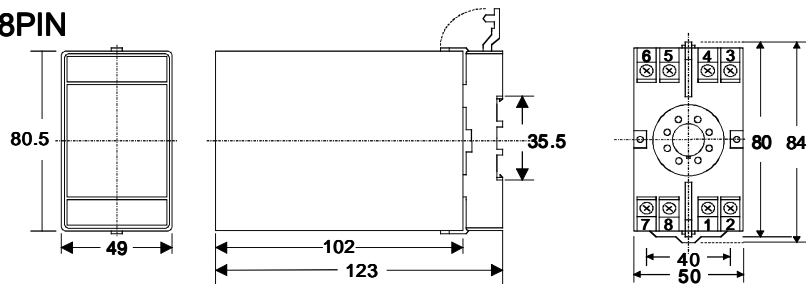


● 11 PIN CONNECTION DIAGRAM



● DEMENSION

■ 8PIN



■ 11PIN

